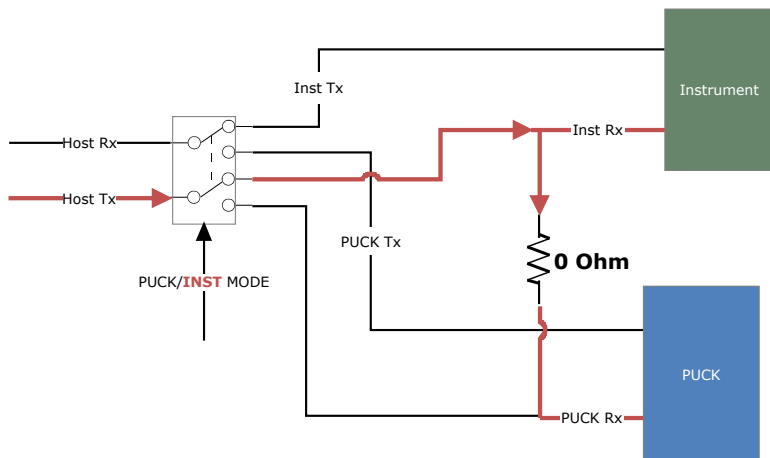


Proposed Change to MBARI Reference Design PUCK Hardware Implementation
Resolves Bug: PUCK commands received by instrument in PUCK mode

DRAFT
30June2009

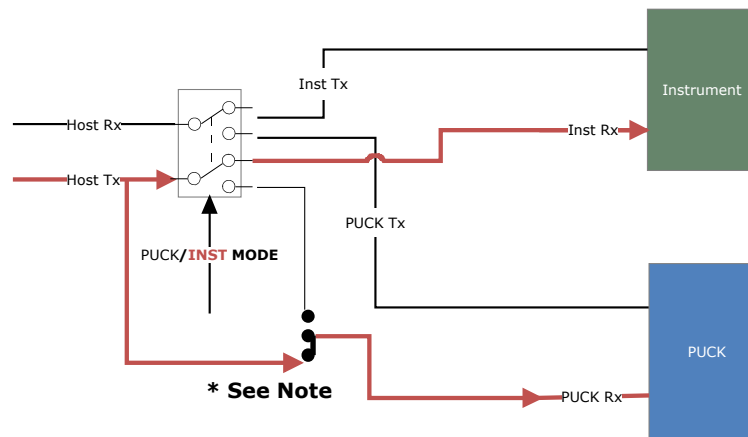
Current Design

PUCK commands sent to instrument in PUCK mode

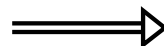


Proposed Hardware Change

Eliminates PUCK commands sent to instrument in PUCK mode

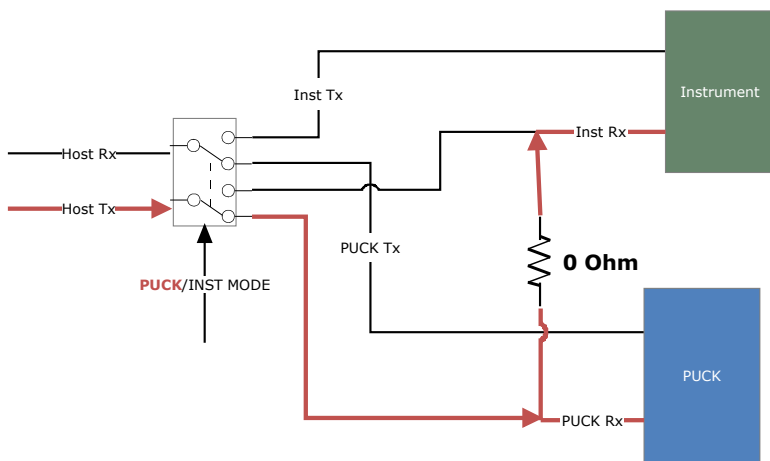


Proposed Change



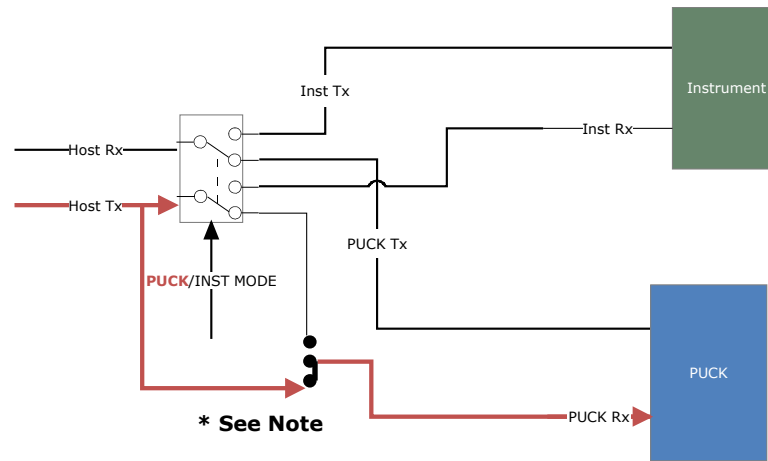
Instrument Mode

PUCK and Instrument receive instrument commands - OK



Instrument Mode

PUCK and Instrument receive instrument commands - OK



PUCK Mode

PUCK and Instrument receive PUCK commands - ERROR

PUCK Mode

Only PUCK receives PUCK commands - OK

*** Note: Jumper/0 Ohm enables PUCK v1.2 compatibility**